

**PLAN VIEW**

LEFT

**NOTES**

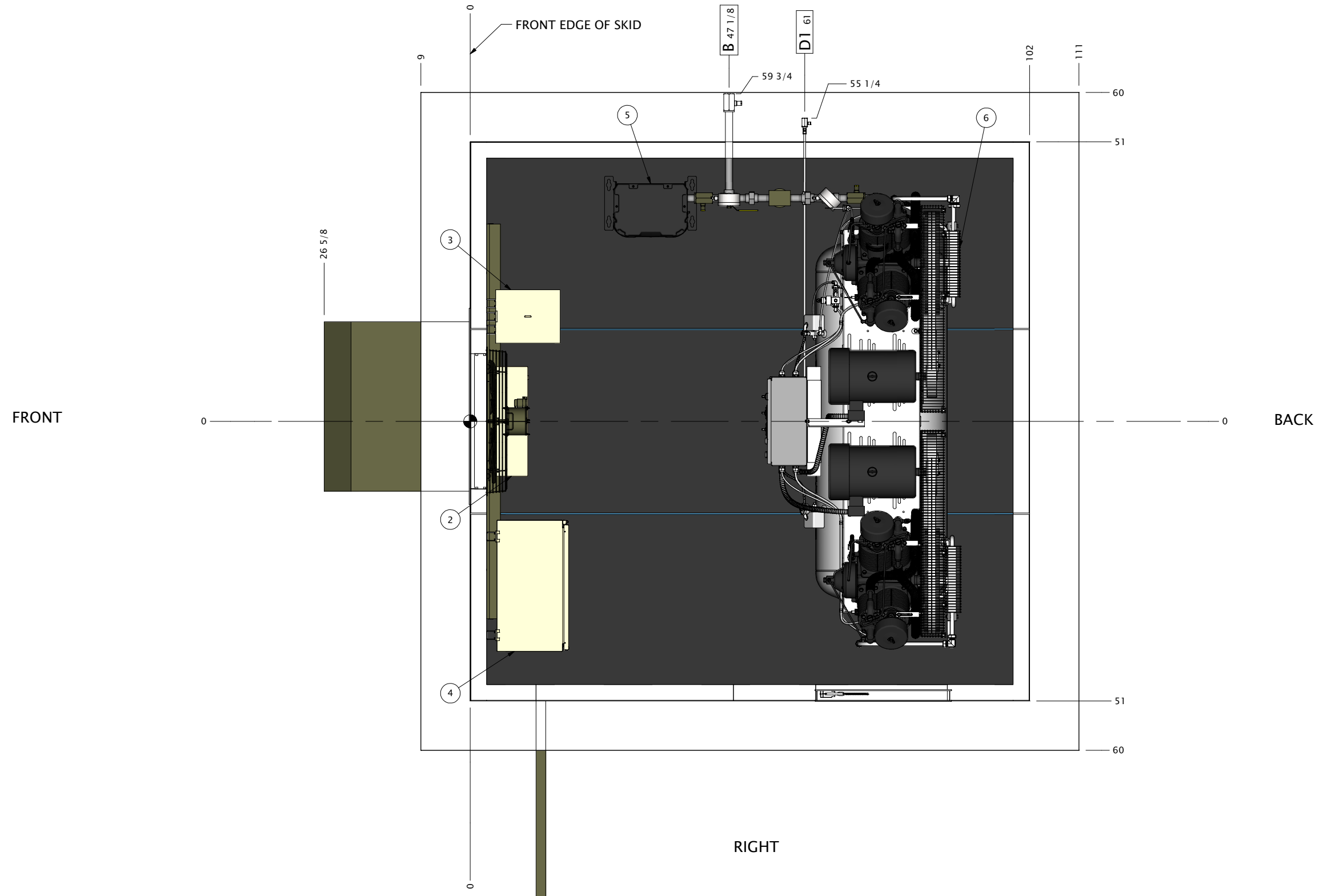
- ACCEPTABLE NOZZLE LOADING, FOR ALL CUSTOMER CONNECTIONS, TO FOLLOW 1xAPI 661.

**CONNECTIONS**

ITEM	SIZE	CONNECTION
B	1"-FNPT	COMPRESSOR AIR DISCHARGE OUTLET
D1	3/8"-FNPT	COMPRESSOR DRAIN

**COMPONENTS**

ITEM	PART NUMBER	DESCRIPTION
1	TBD	Building
2	TBD	480V Panel
3	7S1F	7.5 kVA Transformer
4	SCE-36H2412LP	80A/120/240V/1PH Load Center
5	DL-NDL100GF	Nano Dryer
6	HR10D-12	Gardner Denver R Series Compressor
7	SAB-Skid	Structural Steel Skid
8	TBD	Ceiling Light



REVISION HISTORY				
REV	DATE	DESCRIPTION	BY	APPR
A	05DEC24	PRELIMINARY	NSH	

DIMENSIONS INCH TOLERANCES ± .1



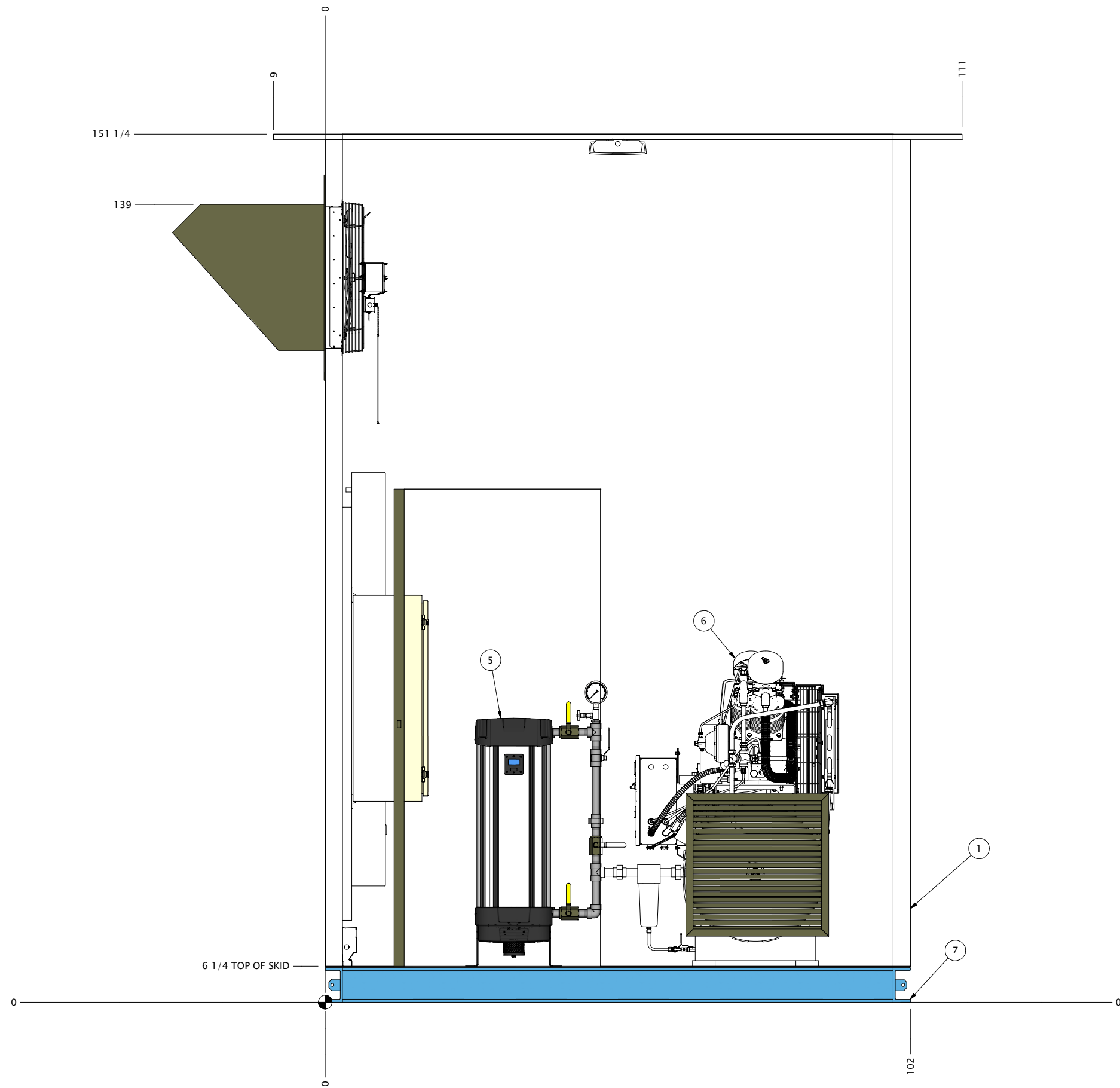
SCALE N/A PAPER B  
 DESIGNER NSH DATE 11DEC24

CUSTOMER - SITE NAME  
 HR10D-12-10HP(x2)/3PH/460V/NDL100GF

DWG SAB-GA SHT 1 REV A


THIS DRAWING IS THE PROPERTY OF DEARING COMPRESSOR CO. UNAUTHORIZED USE OR REPRODUCTION PROHIBITED.

RIGHT SIDE ELEVATION



REVISION HISTORY				
REV	DATE	DESCRIPTION	BY	APPR
A	05DEC24	PRELIMINARY	NSH	

DIMENSIONS	INCH	TOLERANCES	± .1
------------	------	------------	------



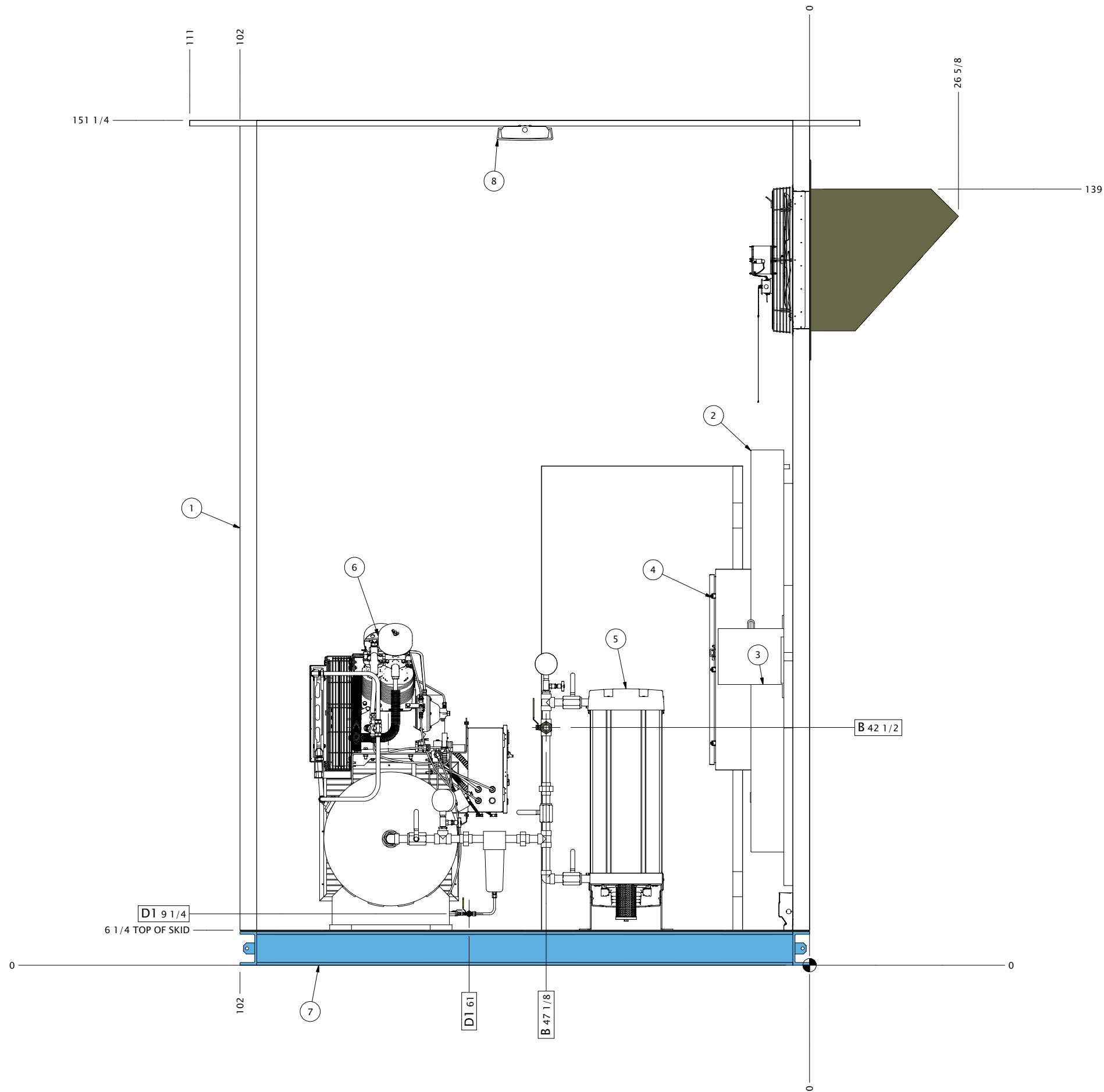
SCALE	N/A	PAPER	B
DESIGNER	NSH	DATE	11DEC24

CUSTOMER - SITE NAME  
HR10D-12-10HP(x2)/3PH/460V/NDL100GF

DWG	SAB-GA	SHT	2	REV	A
-----	--------	-----	---	-----	---


THIS DRAWING IS THE PROPERTY OF DEARING COMPRESSOR CO. UNAUTHORIZED USE OR REPRODUCTION PROHIBITED.

LEFT SIDE ELEVATION



REVISION HISTORY				
REV	DATE	DESCRIPTION	BY	APPR
A	05DEC24	PRELIMINARY	NSH	

DIMENSIONS	INCH	TOLERANCES	± .1
------------	------	------------	------



SCALE	N/A	PAPER	B
DESIGNER	NSH	DATE	11DEC24

CUSTOMER - SITE NAME  
HR10D-12-10HP(x2)/3PH/460V/NDL100GF

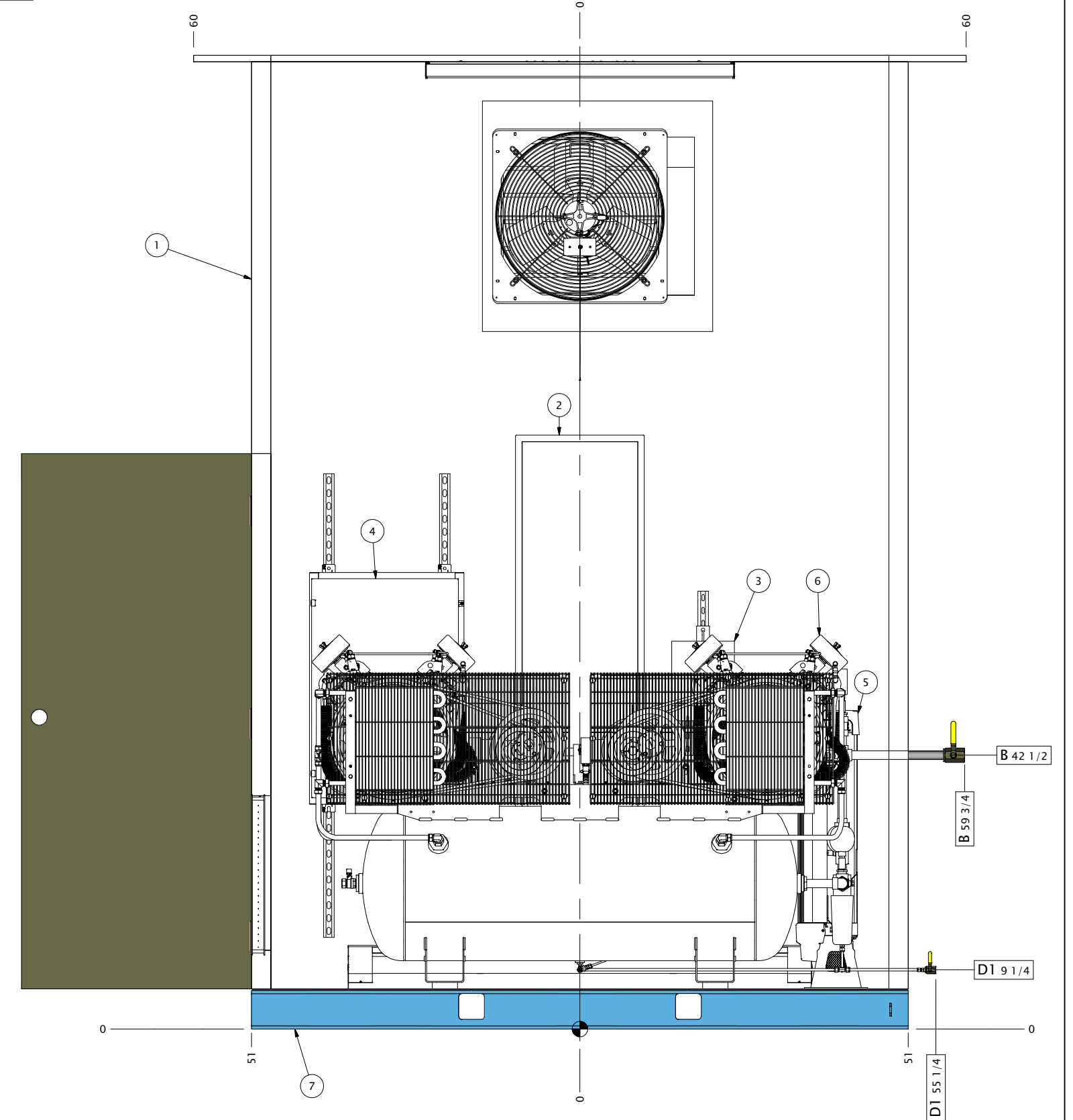
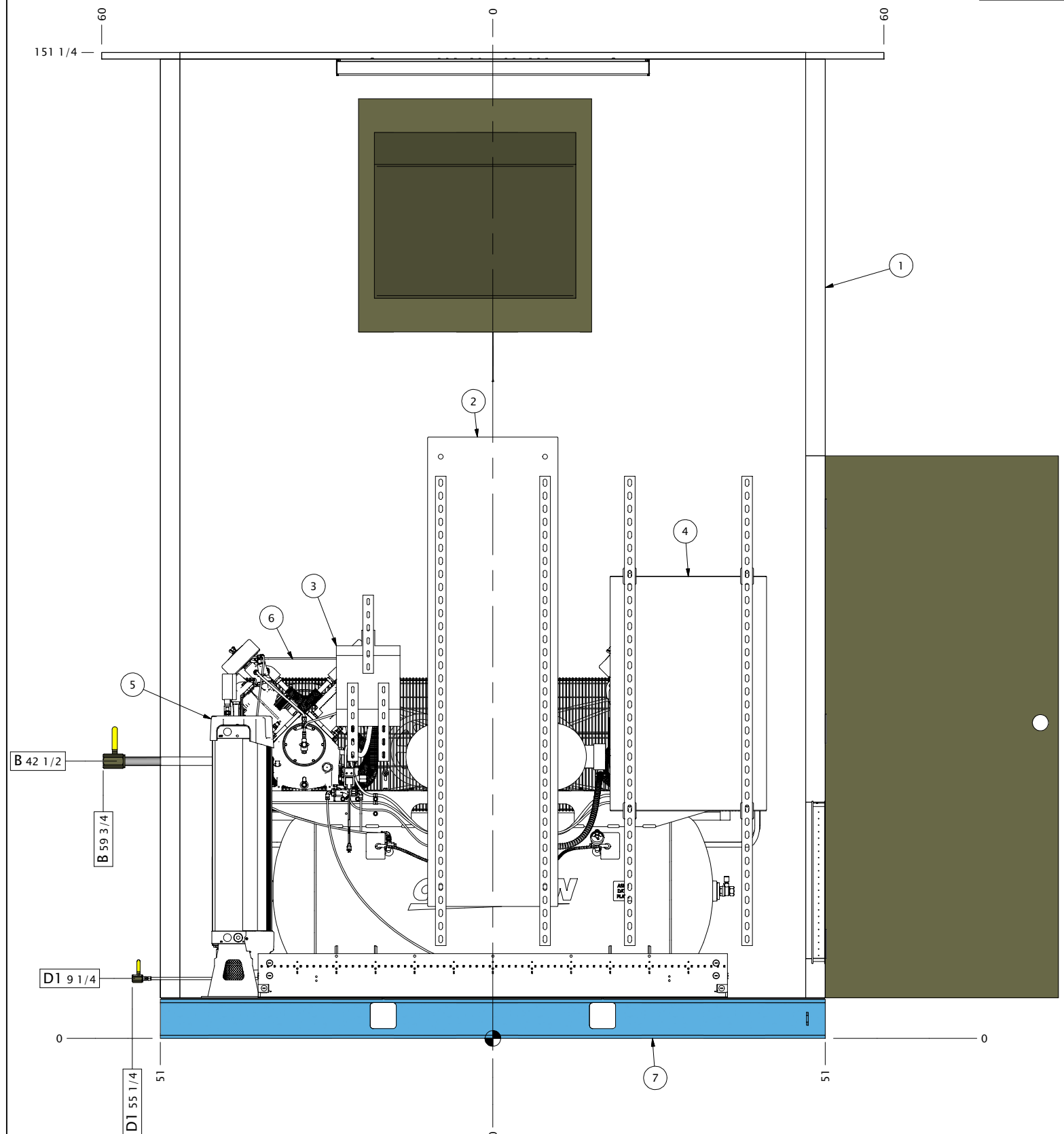
DWG	SAB-GA	SHT	3	REV	A
-----	--------	-----	---	-----	---

THIS DRAWING IS THE PROPERTY OF DEARING COMPRESSOR CO. UNAUTHORIZED USE OR REPRODUCTION PROHIBITED.


FRONT

END ELEVATION

BACK



DIMENSIONS INCH TOLERANCES ± 1



SCALE N/A PAPER B  
 DESIGNER NSH DATE 11DEC24

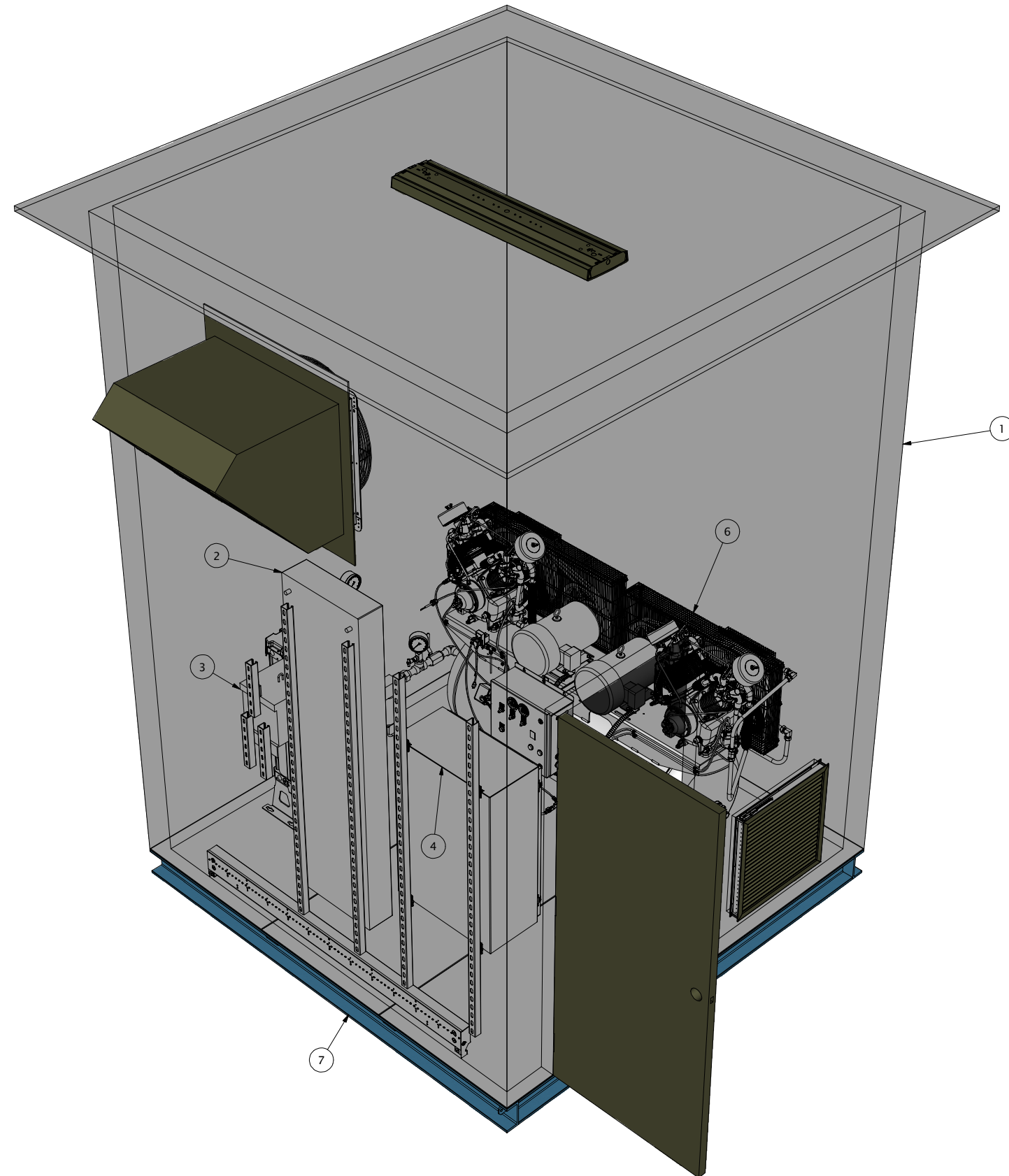
CUSTOMER - SITE NAME  
 HR10D-12-10HP(x2)/3PH/460V/NDL100GF

DWG SAB-GA SHT 4 REV A

THIS DRAWING IS THE PROPERTY OF DEARING COMPRESSOR CO. UNAUTHORIZED USE OR REPRODUCTION PROHIBITED.

REVISION HISTORY				
REV	DATE	DESCRIPTION	BY	APPR
A	05DEC24	PRELIMINARY	NSH	

RIGHT PERSPECTIVE



REVISION HISTORY				
REV	DATE	DESCRIPTION	BY	APPR
A	05DEC24	PRELIMINARY	NSH	

DIMENSIONS INCH TOLERANCES ± .1



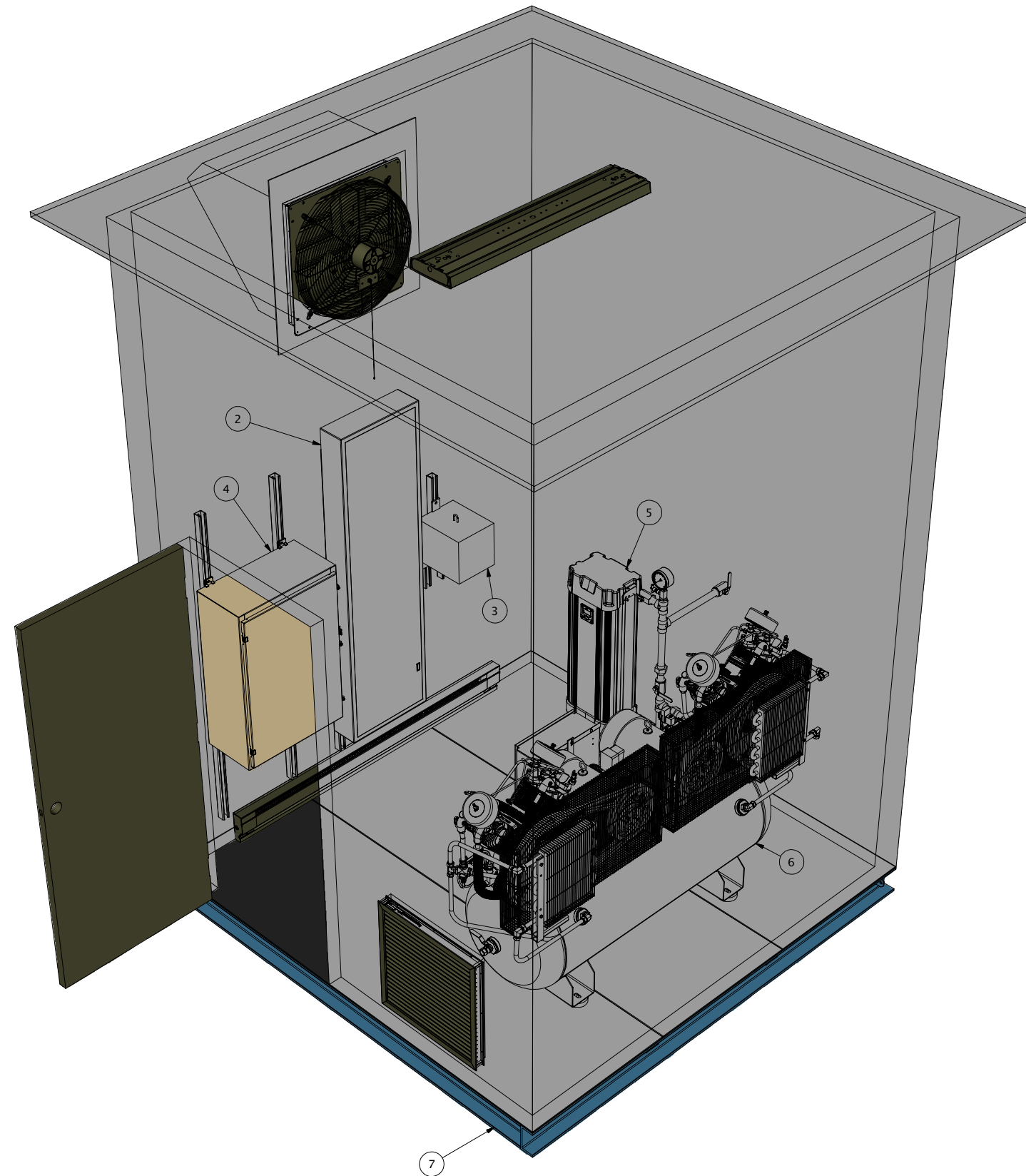
SCALE N/A PAPER B  
 DESIGNER NSH DATE 11DEC24

CUSTOMER - SITE NAME  
 HR10D-12-10HP(x2)/3PH/460V/NDL100GF

DWG SAB-GA SHT 5 REV A

THIS DRAWING IS THE PROPERTY OF DEARING COMPRESSOR CO. UNAUTHORIZED USE OR REPRODUCTION PROHIBITED.

LEFT PERSPECTIVE



REVISION HISTORY				
REV	DATE	DESCRIPTION	BY	APPR
A	05DEC24	PRELIMINARY	NSH	

DIMENSIONS INCH TOLERANCES ± .1



SCALE N/A PAPER B  
 DESIGNER NSH DATE 11DEC24

CUSTOMER - SITE NAME  
 HR10D-12-10HP(x2)/3PH/460V/NDL100GF

DWG SAB-GA SHT 6 REV A

THIS DRAWING IS THE PROPERTY OF DEARING COMPRESSOR CO. UNAUTHORIZED USE OR REPRODUCTION PROHIBITED.