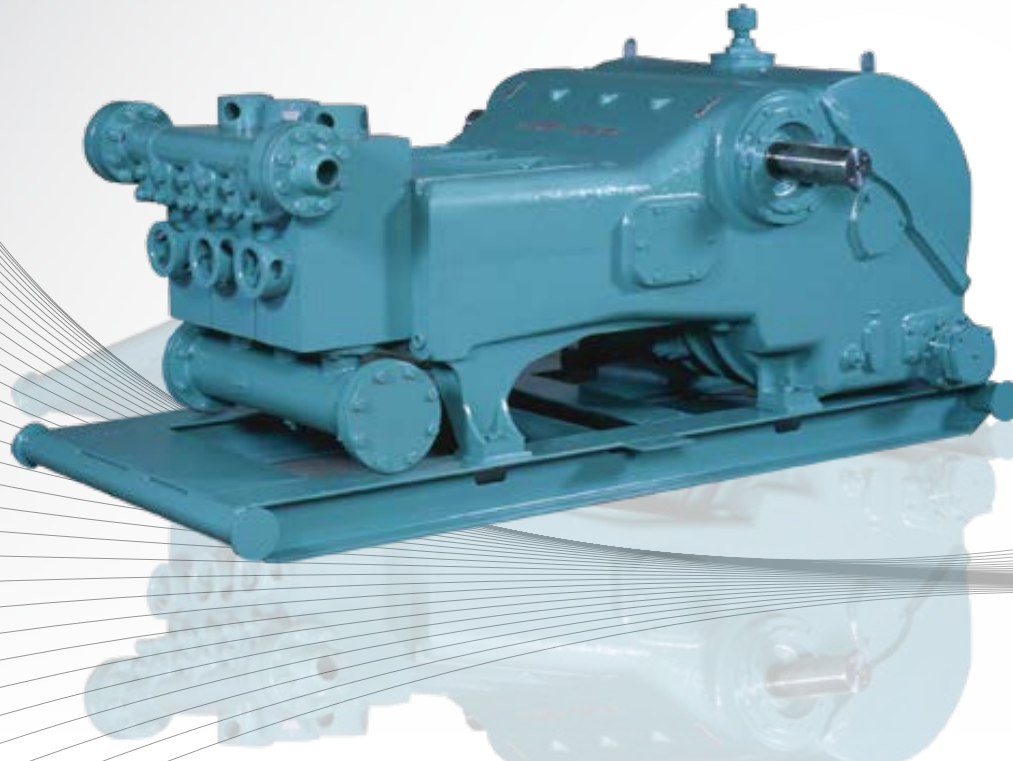


# PAH Triplex Well Service Pump



Shown with optional skid.

## SPECIFICATIONS

Maximum Input	310 BHP
Maximum RPM	175 RPM
Stroke Length	8 in. (203 mm)
Rod Load	126,000 lbs. (57,270 kg)
Pump Weight	9,200 bs. (4,180 kg)
Gear Ratio	4.7:1

PLUNGER DIAMETER		DISPLACEMENT PER REVOLUTION		DISPLACEMENT @ PUMP RPM - WELL STIMULATION AND INTERMITTENT APPLICATION																
				34				75				125				175				
in.	mm.	GAL	Liter	GPM	LPM	PSI	kg/sq. cm	GPM	LPM	PSI	kg/sq. cm	GPM	LPM	PSI	kg/sq. cm	GPM	LPM	PSI	kg/sq. cm	
<b>Block Alloy Steel, Heat-Treated Individual Fluid Cylinders</b>																				
3.5	89	.999	3.782	34	129	10000	703	75	284	6400	450	125	473	3800	267	175	662	2750	193	
4	102	1.305	4.940	44	168	10000	703	98	370	4900	345	163	617	2900	204	228	864	2100	148	
4.5	114	1.652	6.252	56	213	8050	566	124	469	3900	274	206	781	2300	162	289	1094	1650	116	
5	127	2.039	7.718	69	262	5000	352	153	579	3150	221	255	965	1900	134	357	1351	1350	95	
<b>INPUT POWER:</b>				<b>BHP</b>	290				310				310				310			
				<b>KW</b>	216				231				231				231			

Ratings are based on 90% mechanical efficiency and 100% volumetric efficiency. All sizes offered with pistons and liners. 3 1/2" through 4 1/2" sizes are offered with plungers and packing. The duty cycle of a pump rated for intermittent duty is not to exceed 30 minutes at loads above maximum established for continuous running followed by an equal period at no load.

Note: It is Gardner Denver's recommendation to use plungers/packing for acid service or pressures in excess of 4,000 PSI. Pistons/liners are not recommended for these applications or any applications over 4,000 PSI.

**Gardner  
Denver**

**Pumping Perfected.™**

# PAH Triplex Well Service Pump

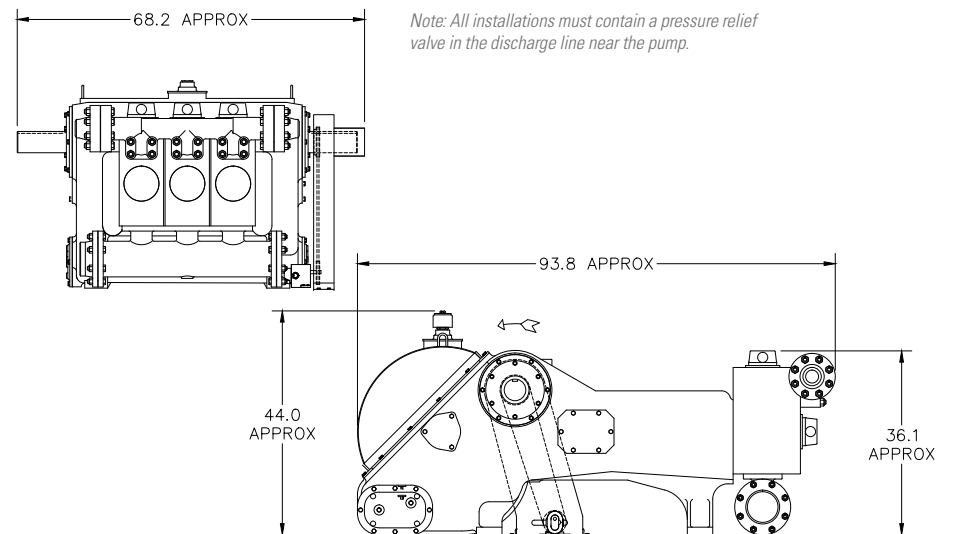
## OPTIONAL FEATURES

- Pistons and liners or colmony plungers and packing of select size
- Fabricated steel skid under pump only
- Large steel skid with non-skid decking
- Mechanical lubricator for stuffing box packing
- Centrifugal suction charging pump
- Plunger rod washing system
- Suction and/or discharge dampeners
- Oil heat exchanger cooling system
- External electric powered lube pump
- Custom packaging available

## STANDARD FEATURES

- Nodular iron power frame, eccentric, connection rods, and crossheads
- Spherical roller bearings carry eccentric
- Double extended Jackshift carried on heavy-duty straight roller bearings
- Dual roller bearing connecting rod
- Heat-treated 4140 alloy steel main gears are bolted to the eccentric
- Replaceable bronze crosshead slides
- Full splash lubrication, with oil pump to feed working parts
- Heat-treated alloy steel, interchangeable fluid cylinders
- Center guided with urethane insert valves and seats
- Replaceable-type element oil filter and oil pressure gauge
- Threaded valve covers
- Bolted-type stuffing boxes with plunger option
- Clamp connection between plungers or between plated piston rod and extension rod
- Complete piston washing and lubrication system if applicable

## SPECIFICATIONS



## CONNECT WITH US: