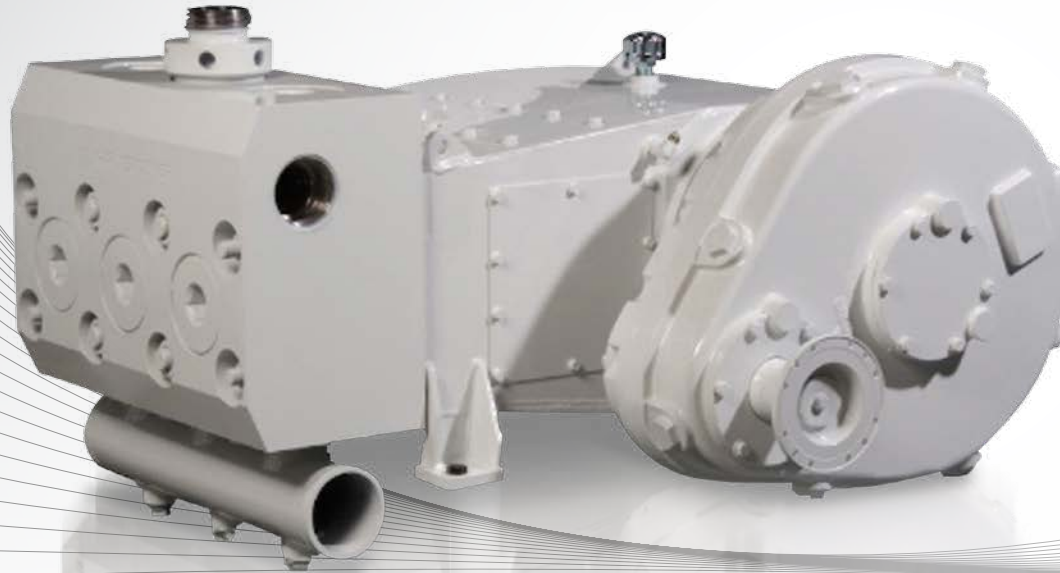


GD-Compact Well Service Pump

Shown with optional autofrettagged fluid end.
101.5" back to back mounting available with standard fluid end.



SPECIFICATIONS

Maximum Input	600 BHP (447 kW)
Maximum RPM	450 RPM
No. of Plungers	3
Stroke Length	6 in. (152 mm)
Plunger Load	100,000 lbs. (45,360 kg)
Pump Weight	4,600 lbs (2,087 kg) average
Gear Ratio	4.6:1

PLUNGER DIAMETER		DISPLACEMENT PER REVOLUTION		DISPLACEMENT @ PUMP RPM - WELL SERVICE APPLICATION																
				100				200				300				450				
in.	mm.	GAL	Liter	GPM	LPM	PSI	kg/sq. cm	GPM	LPM	PSI	kg/sq. cm	GPM	LPM	PSI	kg/sq. cm	GPM	LPM	PSI	kg/sq. cm	
2.75	70	.46	1.8	46	175	15000	1184	93	350	9999	703	139	526	6666	469	208	788	4444	312	
3	76	.55	2.1	55	208	15000*	995	110	417	8402	591	165	625	5601	394	248	938	3734	263	
3.5	89	.75	2.8	75	284	10394	731	150	568	6173	434	225	851	4115	289	337	1277	2743	193	
4	102	.98	3.7	98	371	7958	559	196	741	4726	332	284	1112	3151	222	441	1668	2100	148	
4.5	114	1.24	4.7	124	469	6288	442	248	938	3734	263	372	1407	2489	175	558	2111	1660	117	
INPUT POWER:				BHP	500				600				600				600			
				KW	373				447				447				447			

Ratings are based on 90% mechanical efficiency and 100% volumetric efficiency. *Contact Gardner Denver Engineering for application review and approval.

**Gardner
Denver**
Pumping Perfected.™

GD-Compact Well Service Pump

MATERIAL SPECIFICATIONS

FLUID END	Forged SAE 4330 modified alloy steel
STUFFING BOX	Forged alloy steel
CONNECTING RODS	Ductile iron
CROSSHEADS	High-strength cast iron
CROSSHEAD GUIDES	Ductile iron
CRANKPIN BEARING	Bronze
CROSSHEAD BEARING	Bronze

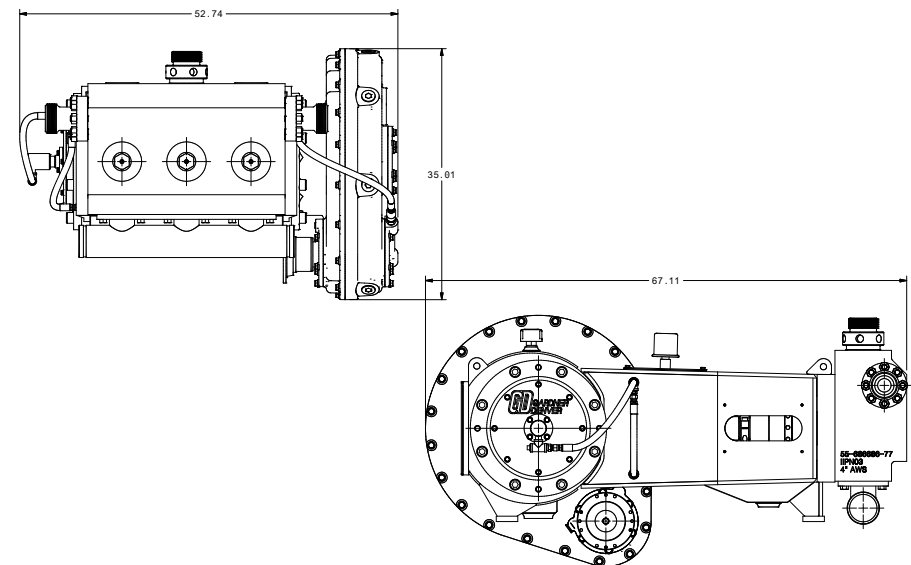
STANDARD FEATURES

- Left or right gear box mounting
- Crankshaft type construction
- Multiple pinion locations
- Left or right side suction and discharge connections
- Hard coated plungers
- Valve over valve fluid end
- Plunger sizes from 2.75" to 4.5"
- Suction manifold with victaulic connections
- Header-ring style packing
- Center gauge connection
- One 2" 1502 discharge flange
- One blank flange
- Fluid end tool kit

OPTIONAL FEATURES

- Autofrettage fluid ends
- Tach drive adapter
- Dual discharge flanges
- Style 602 and 1002 discharge flange
- Additional center gauge connections
- Adjustable packing
- Spring loaded packing
- Tach driver adapter
- Suction manifold with cylinder drains
- Valve seat puller assembly
- Hydraulic torque wrench
- 16" offset gearbox for underdrive capability
- Certifications

SPECIFICATIONS



CONNECT WITH US: